



**ILLUSTRATED PARTS BOOK**

**Earth Auger, 43cc, 2 cycle**

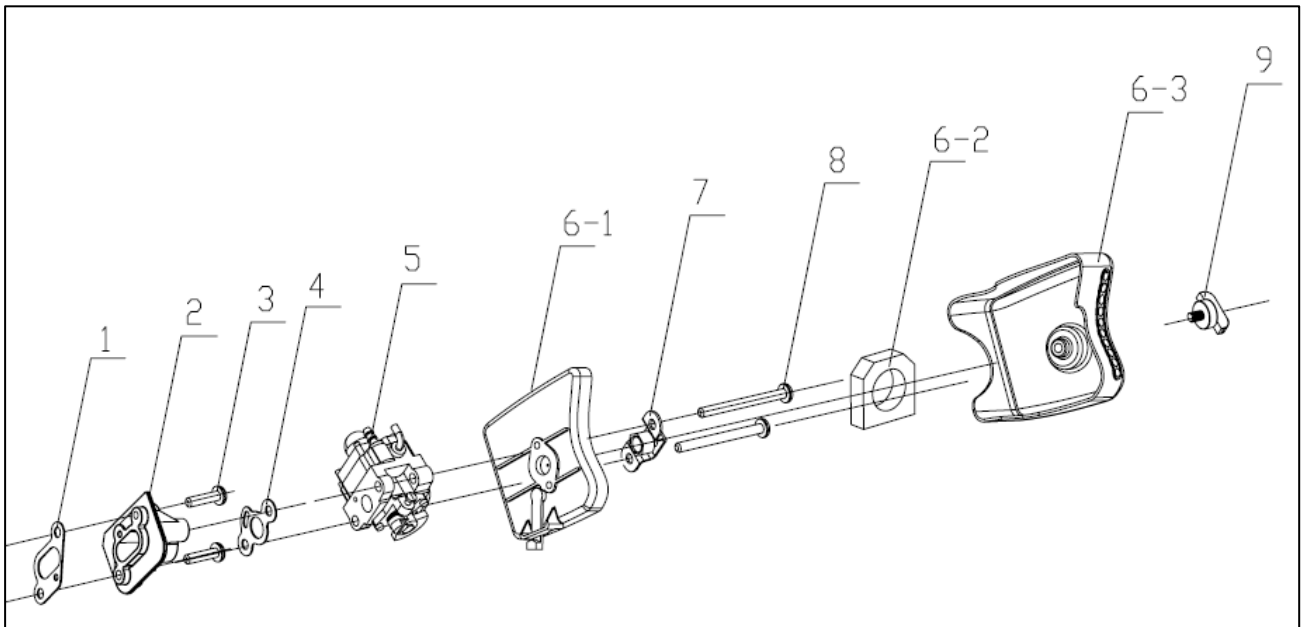
**MODEL#: PEA438**



## **Table of Contents**

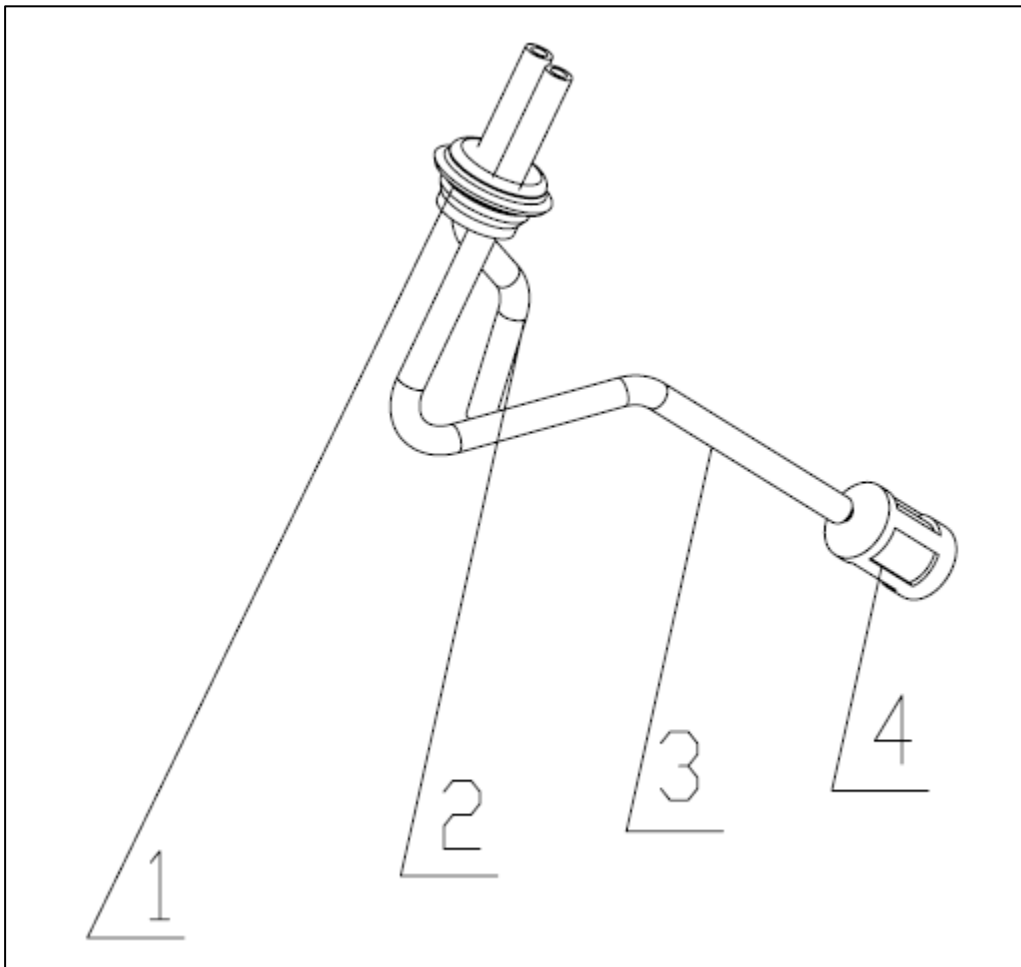
Kit .....	3-5
Exploded View & Parts List.....	6-12

## Kit, Carburetor – A201152



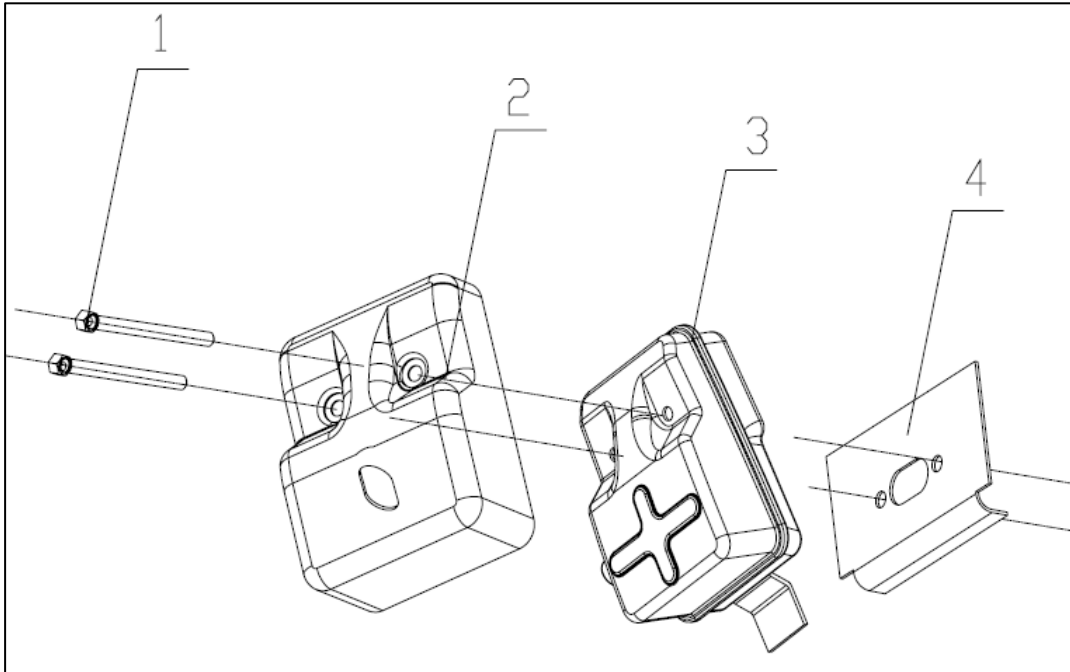
REF. NO.	DESCRIPTION	PART NO.	QTY
1	Gasket, Isolator	A201108	1
2	Isolator, Carburetor	A201109	1
3	Bolt, M5X25	A201110	4
4	Gasket, Carburetor	A201111	1
5	Carburetor, 43cc	A201112	1
6	ASM, Air Filter (including 6-1, 6-2 and 6-3)	A201113	1
7	Bracket, Air Filter	A201114	1
8	Screw, M5X60	A201115	2
9	Knob, Air Filter, M5X20	A201116	1

Kit, Fuel Line – **A201153**



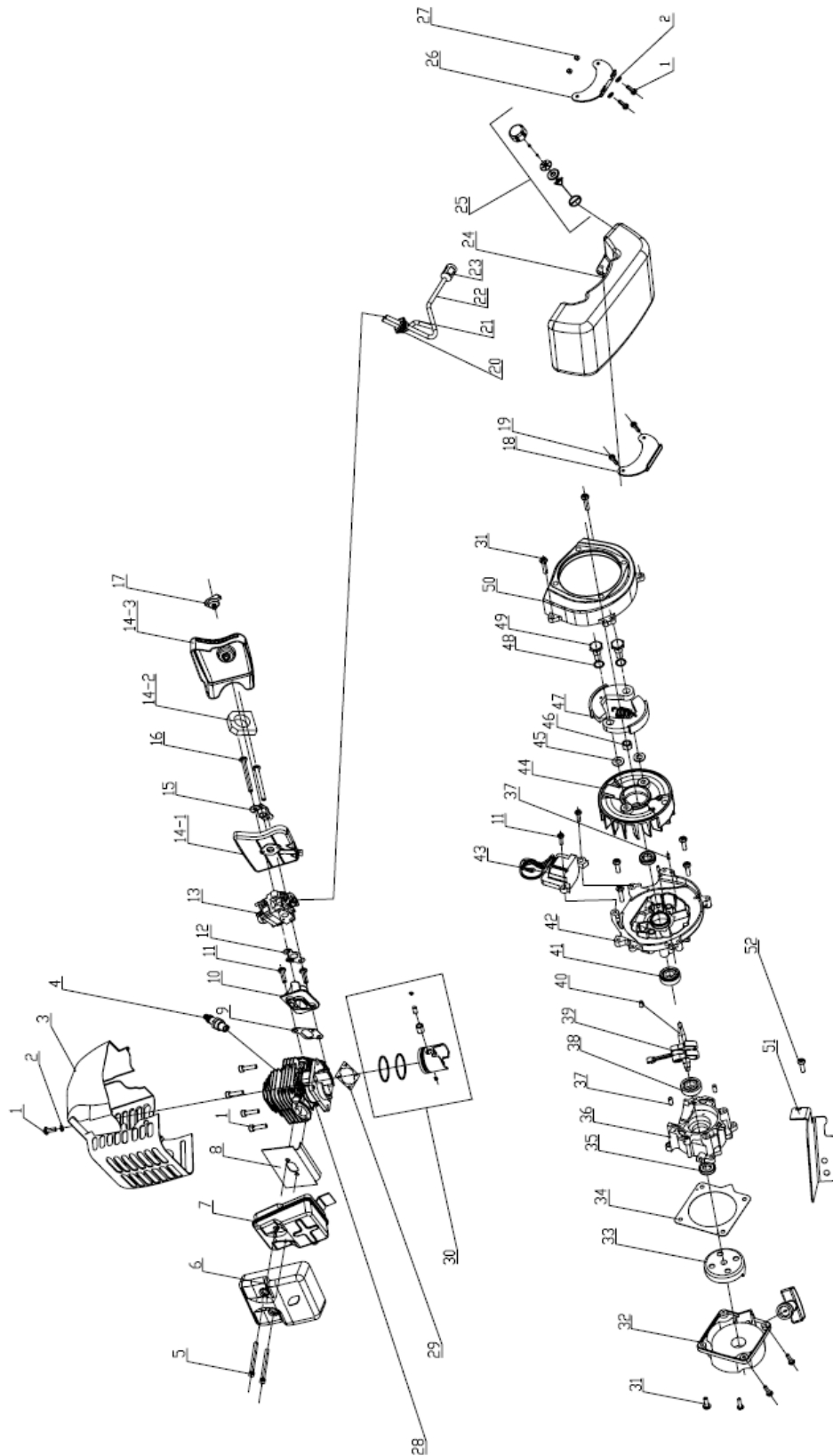
REF. NO.	DESCRIPTION	PART NO.	QTY
1	Grommet, Fuel Tank	For Reference Only	1
2	Outlet line, Fuel	For Reference Only	1
3	Inlet line, Fuel	For Reference Only	1
4	Filter, Fuel	A201122	1

Kit, Muffler – **A201154**



REF. NO.	DESCRIPTION	PART NO.	QTY
1	Bolt, M6X55	A201104	2
2	Cover, Muffler	A201105	1
3	Muffler	For Reference Only	1
4	Gasket, Muffler	A201107	1

# Exploded View, 43cc Auger Engine – **A202277**



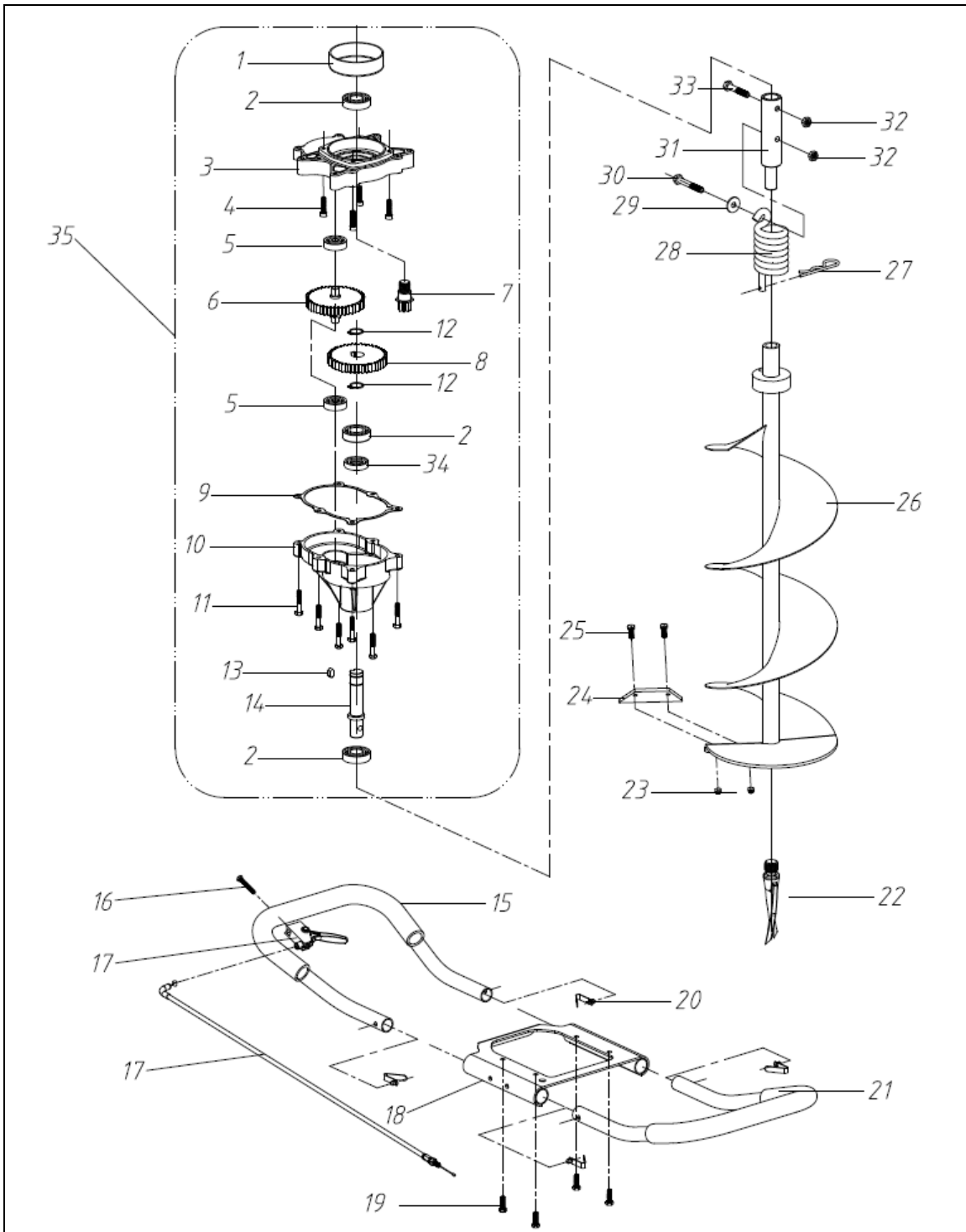
<b>REF. NO.</b>	<b>DESCRIPTION</b>	<b>PART NO.</b>	<b>QTY</b>
1	Bolt, M5X16	A201100	7
2	Washer, M5	A201101	3
3	Shroud, Engine	A201102	1
4	Spark Plug, L7RTC	A201103	1
5	Bolt, M6X55	A201104	2
6	Cover, Muffler	A201105	1
7	Muffler	For Reference Only	1
8	Gasket, Muffler	A201107	1
9	Gasket, Isolator	A201108	1
10	Isolator, Carburetor	A201109	1
11	Bolt, M5X25	A201110	4
12	Gasket, Carburetor	A201111	1
13	Carburetor	A201112	1
14	ASM, Air Filter (including 14-1, 14-2 and 14-3)	A201113	1
15	Bracket, Air Filter	A201114	1
16	Screw, M5X60	A201115	2
17	Knob, Air Filter, M5X20	A201116	1
18	Mounting Bracket, Fuel Tank, Bottom	A201117	1
19	Screw, M5X20	A201118	2
20	Grommet, Fuel Tank	For Reference Only	1

21	Outlet line, Fuel	For Reference Only	1
22	Inlet line, Fuel	For Reference Only	1
23	Filter, Fuel	A201122	1
24	Fuel Tank	A201123	1
25	Cap, Fuel	A201124	1
26	Mounting Bracket, Fuel Tank, Top	A201125	1
27	Nut, M5	A201126	2
28	Cylinder	For Reference Only	1
29	Gasket, Cylinder	For Reference Only	1
30	Piston	For Reference Only	1
31	Bolt, M5X20	A201130	8
32	Starter, Recoil	A201131	1
33	Pawl, Starter	A201132	1
34	Mounting Plate, Starter	A201133	1
35	Seal, TC22X12X7, Crankcase	For Reference Only	1
36	Crankcase, Right	For Reference Only	1
37	Pin, 5X12	For Reference Only	4
38	Ball Bearing, 6202	For Reference Only	2
39	Crankshaft	For Reference Only	1
40	Key, 3x5x13, Crankshaft	For Reference Only	1
41	Seal, TC22X12X7, Crankcase	For Reference Only	1



42	Crankcase, Left	For Reference Only	1
43	Module, Ignition	A201142	1
44	Flywheel, 43cc	A201143	1
45	Washer, M8	A201144	2
46	Nut, M8	A201145	1
47	Clutch	A201146	1
48	Spring Washer, M8	A201147	2
49	Bolt, Clutch	A201148	2
50	Cover, Flywheel	A201149	1
51	Gasket, Heat Shield	A201150	1
52	Bolt, M5X12	A201151	2

# Exploded View, Auger Bit, Transmission, and Handle



REF. NO.	DESCRIPTION	PART NO.	QTY
1	Drum, Clutch	A201158	1
2	Bearing ,6004-2RS	For Reference Only	3
3	Gear Case, Top	For Reference Only	1
4	Bolt, M6X25	For Reference Only	4
5	Bearing, 6003-2RZ	For Reference Only	2
6	Gear, 10T/48T	For Reference Only	1
7	Gear, 7T, Pinion Threaded	For Reference Only	1
8	Gear, 44T	For Reference Only	1
9	Gasket	A201166	1
10	Gear Case, Bottom	For Reference Only	1
11	Bolt, M6*35	For Reference Only	6
12	Snap Ring, $\varnothing$ 20	For Reference Only	2
13	Dowel Pin, B6*12	For Reference Only	1
14	Shaft, Output	For Reference Only	1
15	ASM, Handle Bar, Right	A201841	1
16	Screw, Throttle Trigger	A201842	1
17	ASM, Throttle Trigger	A201843	1
18	Frame, 43cc Auger	A201844	1
19	Bolt, M6X20, Gear Box Mounting	A201176	4
20	Retainer, Handle Bar	A201175	4

21	ASM, Handle Bar, Left	A201845	1
22	Fishtail Point	A201179	1
23	Lock Nut, M6	A201180	2
24	Blade, Earth	A201181	1
25	Bolt, M6*16	A201182	2
26	Shaft, Auger Bit, 8"	For Reference Only	1
27	Hair Pin, Auger Spring	A201184	1
28	Spring, Auger Bit	A201185	1
29	Washer, 8	A201186	1
30	Bolt, M8*55	A201187	2
31	Adaptor, Auger Bit	A201188	1
32	Lock Nut, M8	A201189	2
33	Bolt, M8*45	A201190	1
34	Seal, Gear Box, TC20X36X8	For Reference Only	1
35	Kit, Gear Box, 43cc Auger	A201156	1

**Note:** The complete earth auger bit (Includes #22-#33) can be ordered with individual packaging. Model# for 6" complete earth auger bit is **SEAB6**, and Model# for 8" complete earth auger bit is **SEAB8**.